

MODEL

AW - DFC

www.autowins.co.kr

DC TO FREQUENCY CONVERTER

● GENERAL SPECIFICATION

- Construction : Plug -in
- Wring : M3.5 Screw Terminal
- Isolation : Power to Input to Output1 to Output2
- Adjustment : Zero & Span $\pm 20\%$ of full scale

● INPUT

◆ DC VOLTAGE

- Range : $\pm 300V$ Max
- Resistance : $20K\Omega$ Min at $\pm 1V$
 $1M\Omega$ Min at $\pm 10V$

◆ DC CURRENT

- Range : $50mA$ Max
- Resistance : 250Ω Max

● OUTPUT

- Open collector : $24VDC/50mA$
Frequency range : $0\sim 10KHz$
- Voltage pulse
Level: High -- $V \pm 10\%$
Low -- $0 \leq 0.5V$
Load impedance : 600Ω max
- Dry contact : $250VAC/3A, 30VDC/5A$
- Current pulse : $0 \sim 20mA/DC$ Standard

● INSTALLATION

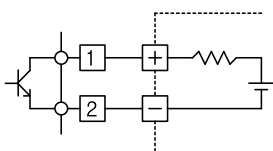
- Operating temperature : $-5^{\circ}C \sim 55^{\circ}C$
- Operating humidity : $90\%RH$ Max
(none condensing)
- Power supply
AC : $110V$ or $220V/60Hz \pm 10\%$, approx $3VA$
DC : $18V \sim 30V \pm 10\%$, approx $3VA$
- Power selection : AC $110V/220V$ Switch
in the back plane
- Mounting : Wall or DIN rail

● PERFORMANCE

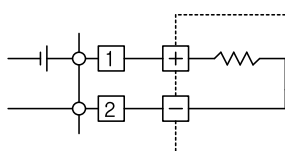
- Accuracy : $\pm 0.2\%$
- Temp'coefficient : $\pm 0.015/\varnothing$
- Response time : 0.5 Sec or less ($0\sim 90\%$)
- Insulation resistance : $100M\Omega$ or more
with $500VDC$ (Input/Output/Power)
- Dielectric strength : $1500VAC$ at 1minute
(Input to Output to Power)

● OUTPUT CONNECTION CIRCUIT

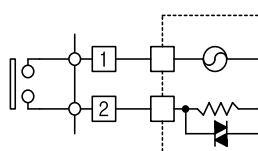
◆ Open Collector



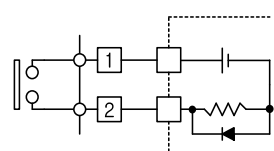
◆ Voltage Pulse



◆ Dry Contact (AC)



◆ Dry Contact (DC)

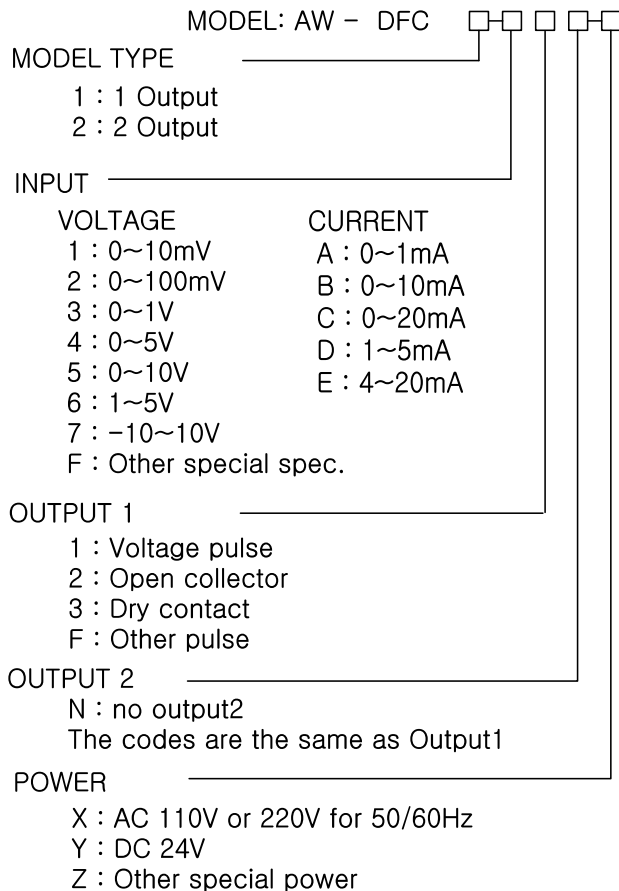


Autowins co.



The converter AW - DFC accepts the DC signal and provides isolated proportional pulse rate outputs.

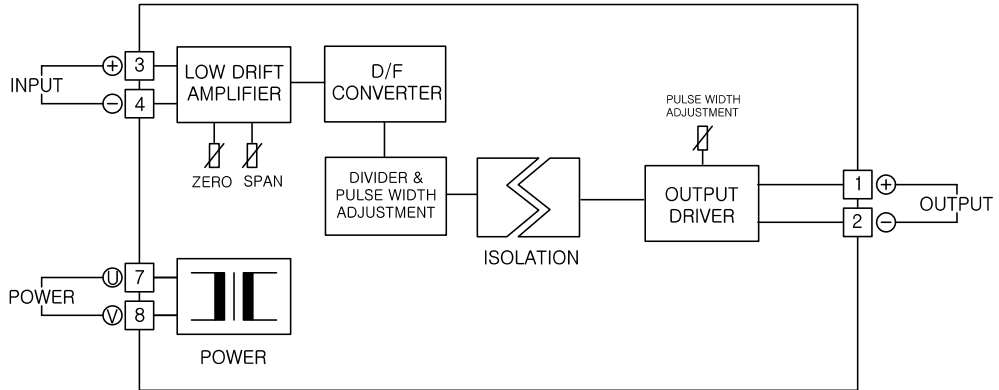
● ORDERING CODE SELECTION



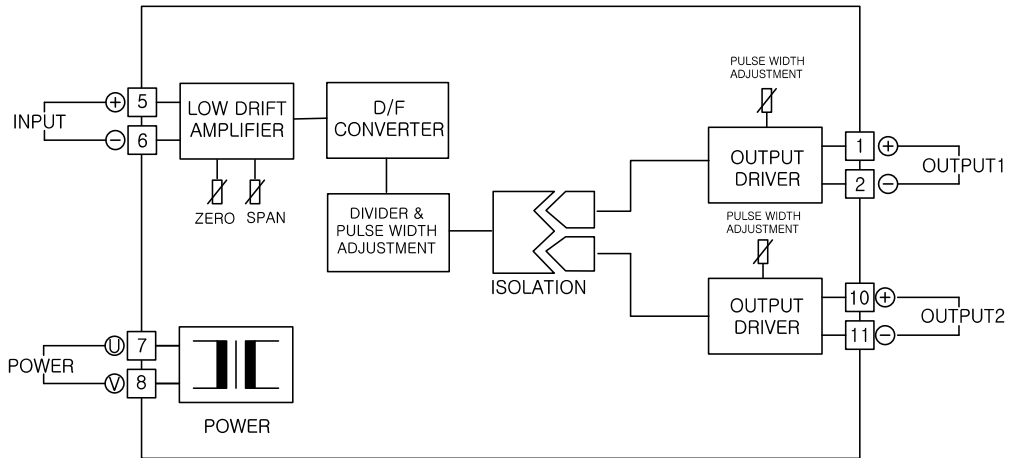
MODEL	AW - DFC
www.autowins.co.kr	

DC SIGNAL TO FREQUENCY CONVERTER

● 1 OUTPUT CONNECTION DIAGRAM

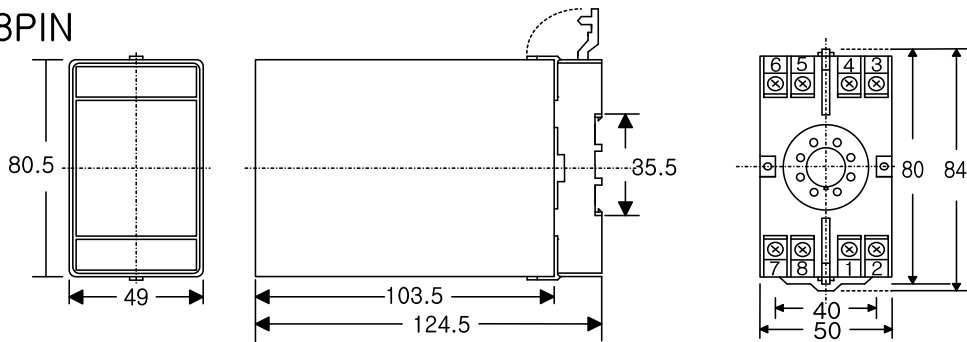


● 2 OUTPUT CONNECTION DIAGRAM



● DEMENSION

■ 8PIN



■ 11PIN

