

MODEL	AW - ISO
www.autowins.co.kr	

DC SIGNAL ISOLATION CONVERTER

● GENERAL SPECIFICATION

- Construction : Plug -in
- Wring : M3.5 Screw Terminal
- Isolation : Power to Input to Output1 to Output2
- Adjustment : Zero & Span $\pm 20\%$ of full scale

● INPUT

◆ DC VOLTAGE

- Range : $\pm 300V$ Max
- Resistance : $20K\Omega$ Min at $\pm 1V$
 $1M\Omega$ Min at $\pm 10V$

◆ DC CURRENT

- Range : $50mA$ Max
- Resistance : 250Ω Max

● OUTPUT

- DC VOLTAGE : $\pm 12V$ Max
- Load Resistance

Output	Resistance
0 ~ 10mV	1K Ω or more
0 ~ 100mV	1K Ω or more
0 ~ 1V	1K Ω or more
0 ~ 5V	2K Ω or more
0 ~ 10V	4K Ω or more
-10V ~ 10V	4K Ω or more

- DC CURRENT : 0 ~ 20mA
- Load Resistance

Output	Resistance
0 ~ 1mA	15K Ω or less
0 ~ 10mA	1.5K Ω or less
0 ~ 20mA	750 Ω or less
1 ~ 5mA	3K Ω or less
4 ~ 20mA	750 Ω or less

- Display range : -999~1999,3 1/2 digit (available decimal point)

● INSTALLATION

- Operating temperature : $-5^{\circ}C \sim 55^{\circ}C$
- Operating humidity : 90%RH Max (none condensing)
- Power supply
AC : 110V or 220V/60Hz $\pm 10\%$, approx 3VA
DC : 24V $\pm 20\%$, approx 3VA
- Power selection : AC 110V/220V Switch in the back plane
- Mounting : Wall or DIN rail

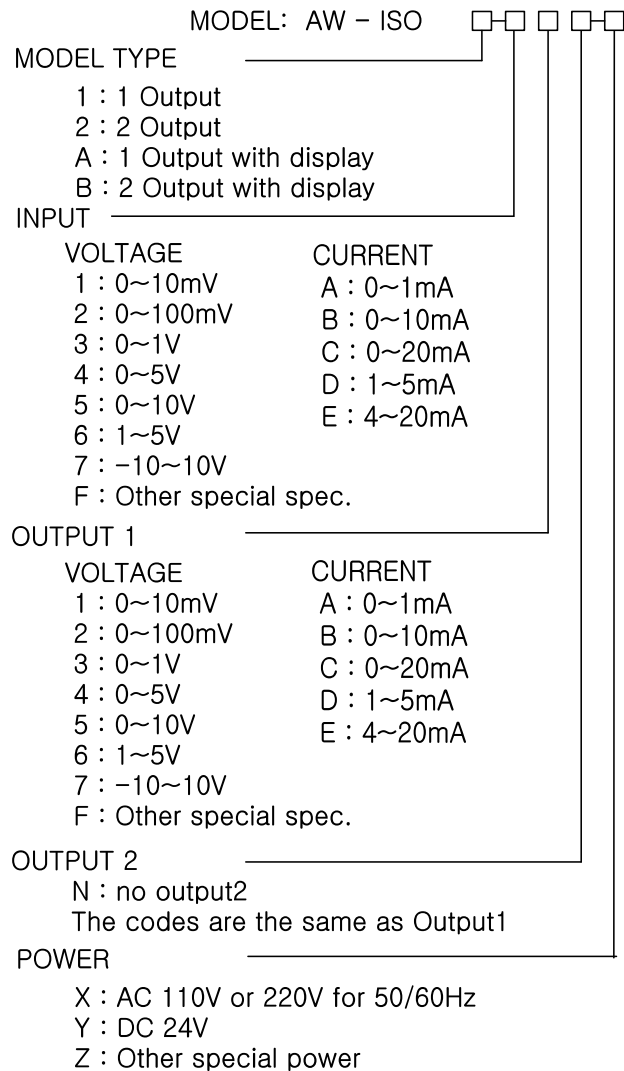
● PERFORMANCE

- Accuracy : $\pm 0.1\%$
- Temp'coefficient : $\pm 0.015/\%$
- Response time : 0.5 Sec or less(0~90%)
- Insulation resistance : 100M Ω or more with 500VDC(Input/Output/Power)
- Dielectric strength : 1500VAC at 1minute (Input to Output to Power)



The model AW-ISO is an DC signal isolation converter that provides isolated proportional DC outputs.

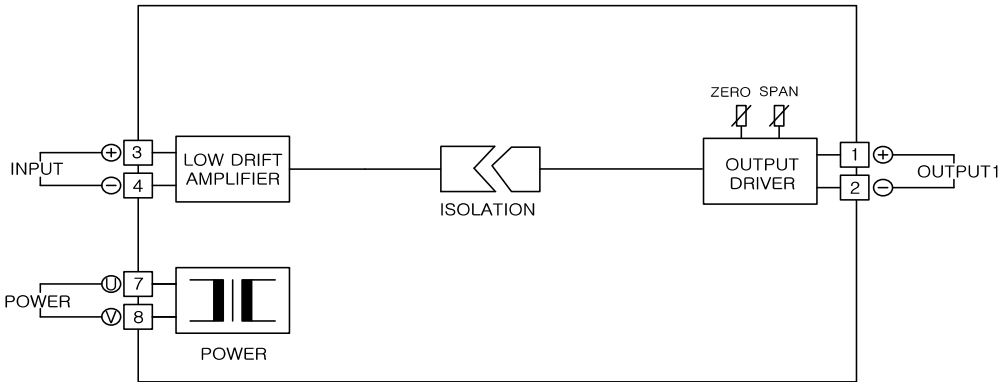
● ORDERING CODE SELECTION



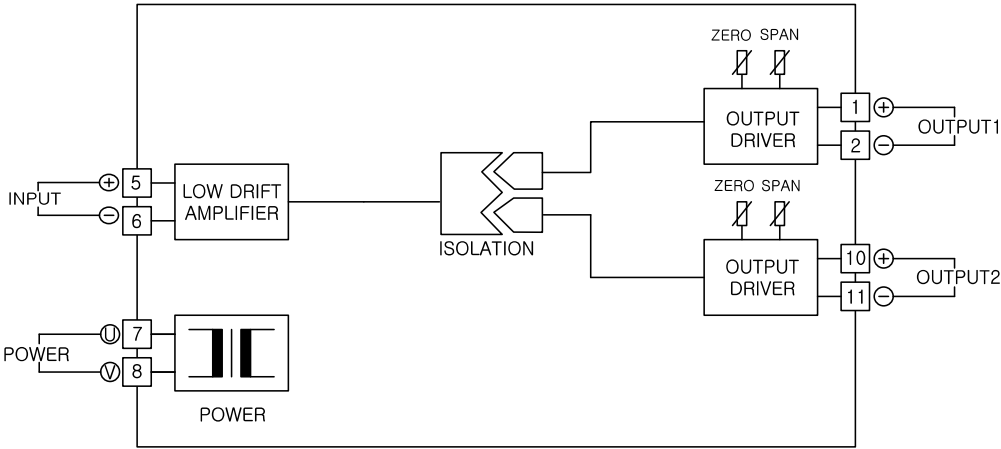
MODEL	AW-ISO
www.autowins.co.kr	

DC SIGNAL ISOLATION CONVERTER

● 1 OUTPUT CONNECTION DIAGRAM

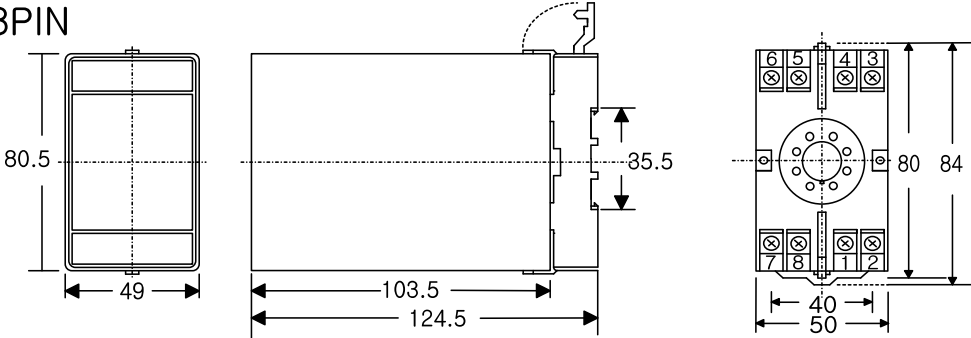


● 2 OUTPUT CONNECTION DIAGRAM



● DEMENSION

■ 8PIN



■ 11PIN

