

MODEL	AW - LCC
www.autowins.co.kr	

LOAD CELL CONVERTER

● GENERAL SPECIFICATION

- Construction : Plug -in
- Wring : M3.5 Screw Terminal
- Isolation : Power to Input to Output1 to Output2
- Adjustment : Zero & Span $\pm 20\%$ of full scale

● INPUT

- Input signal : Bridge voltage from load cell
- Rated output from strain guage : 1~20mV/V
- Excitation voltage : 10V standard and others
- Permissible current : 35mA at 10V max



The converter AW-LCC accepts the signal from bridge type strain guage for use in load cell sensors and provides isolated proportional DC outputs.

● OUTPUT

- DC VOLTAGE : $\pm 12V$ Max
- Load Resistance

Output	Resistance
0 ~ 10mV	1K Ω or more
0 ~ 100mV	1K Ω or more
0 ~ 1V	1K Ω or more
0 ~ 5V	2K Ω or more
0 ~ 10V	4K Ω or more
-10V ~ 10V	4K Ω or more

- DC CURRENT : 0 ~ 20mA
- Load Resistance

Output	Resistance
0 ~ 1mA	15K Ω or less
0 ~ 10mA	1.5K Ω or less
0 ~ 20mA	750 Ω or less
1 ~ 5mA	3K Ω or less
4 ~ 20mA	750 Ω or less

- Display range : -999~1999,3 1/2 digit (available decimal point)

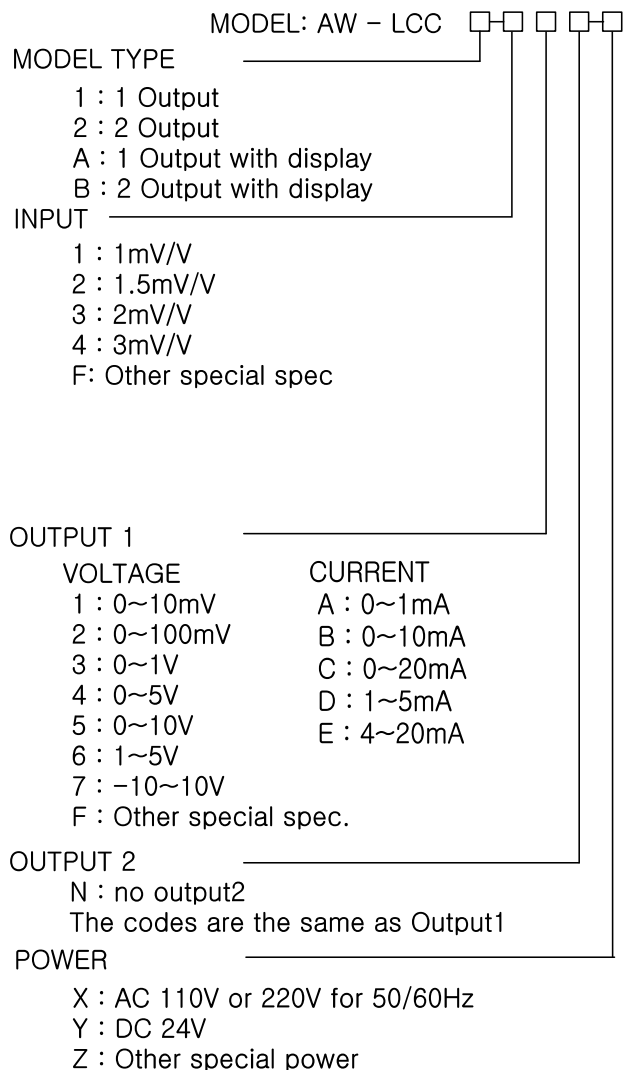
● INSTALLATION

- Operating temperature : -5 $^{\circ}C$ ~ 55 $^{\circ}C$
- Operating humidity : 90%RH Max (none condensing)
- Power supply
 - AC : 110V or 220V/60Hz $\pm 10\%$, approx 3VA
 - DC : 18V ~ 30V $\pm 10\%$, approx 3VA
- Power selection : AC 110V/220V Switch in the back plane
- Mounting : Wall or DIN rail

● PERFORMANCE

- Accuracy : $\pm 0.2\%$
- Temp'coefficient : $\pm 0.015/\%$
- Response time : 0.5 Sec or less(0~90%)
- Insulation resistance : 100M Ω or more with 500VDC(Input/Output/Power)
- Dielectric strength : 1500VAC at 1minute (Input to Output to Power)

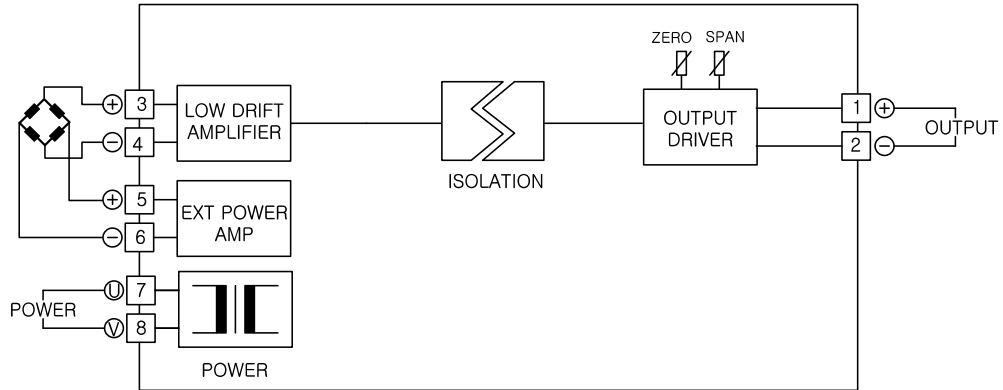
● ORDERING CODE SELECTION



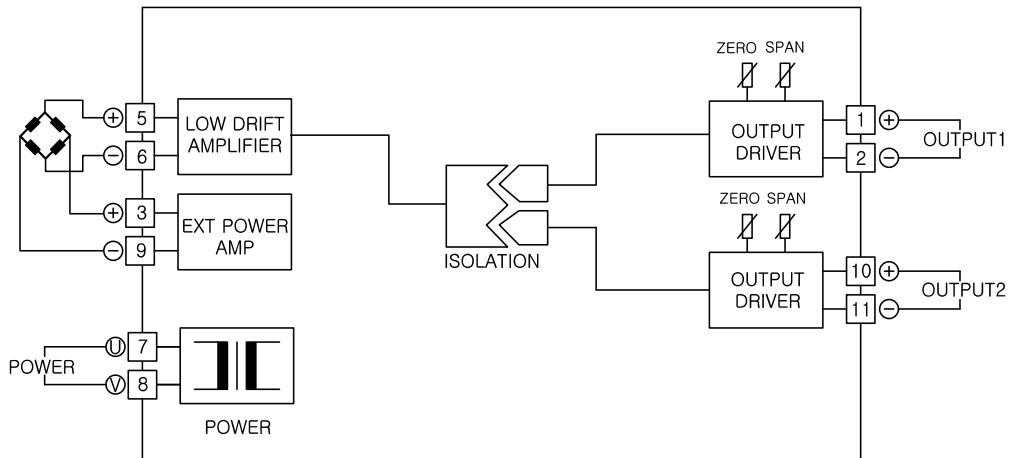
MODEL	AW - LCC
www.autowins.co.kr	

LOAC CELL CONVERTER

● 1 OUTPUT CONNECTION DIAGRAM

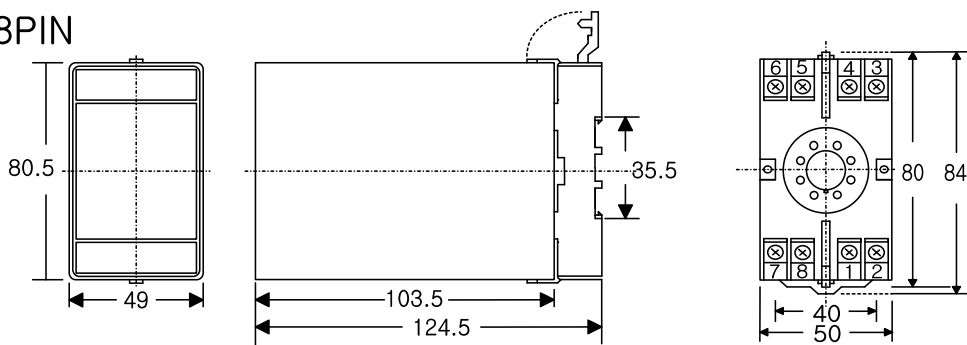


● 2 OUTPUT CONNECTION DIAGRAM



● DEMENSION

■ 8PIN



■ 11PIN

