

MODEL	AW - PSC
www.autowins.co.kr	

DC POWER SUPPLY CONVERTER

● GENERAL SPECIFICATION

- Construction : Plug -in
- Wring : M3.5 Screw Terminal
- Isolation : Power to Output1 to Output2

● INPUT

Input: none

● OUTPUT

SUPPLY; DC24V/50mA
 SUPPLY; DC12V/100mA

● INSTALLATION

- Operating temperature : -5℃ ~ 55℃
- Operating humidity : 90%RH Max
 (none condensing)
- Power supply
 - AC : 110V or 220V/60Hz ± 10%, approx 3VA
 - DC : 18V ~ 30V ± 10%, approx 3VA
- Power selection : AC 110V/220V Swich
 in the back plane
- Mounting : Wall or DIN rail

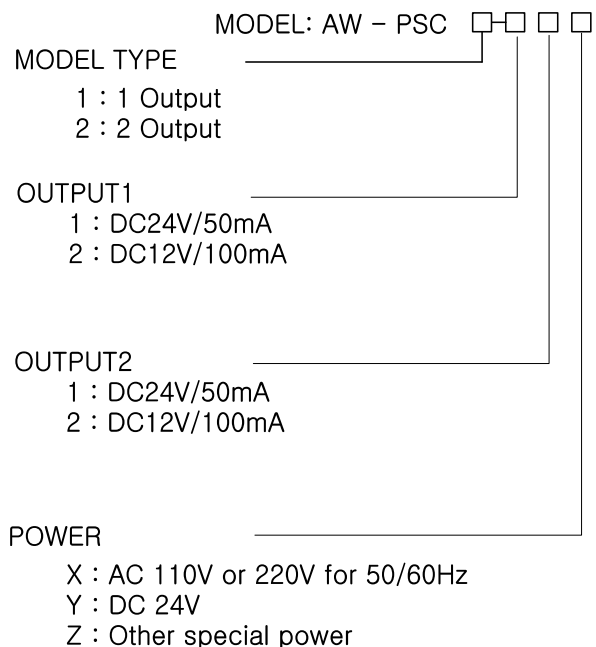
● PERFORMANCE

- Insulation resistance : 100MΩ or more
 with 500VDC(Output/Power)
- Dielectric strength : 1500VAC at 1minute
 (Output to Power)



The converter AW - PSC supplies power to 2wire single loop system.

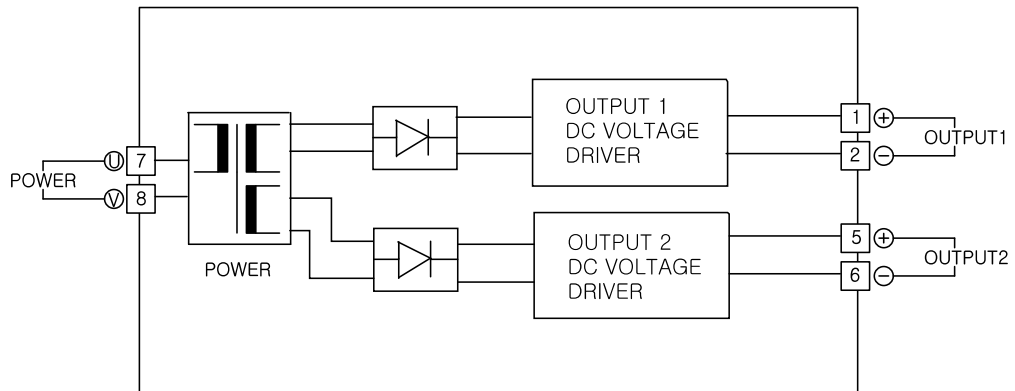
● ORDERING CODE SELECTION



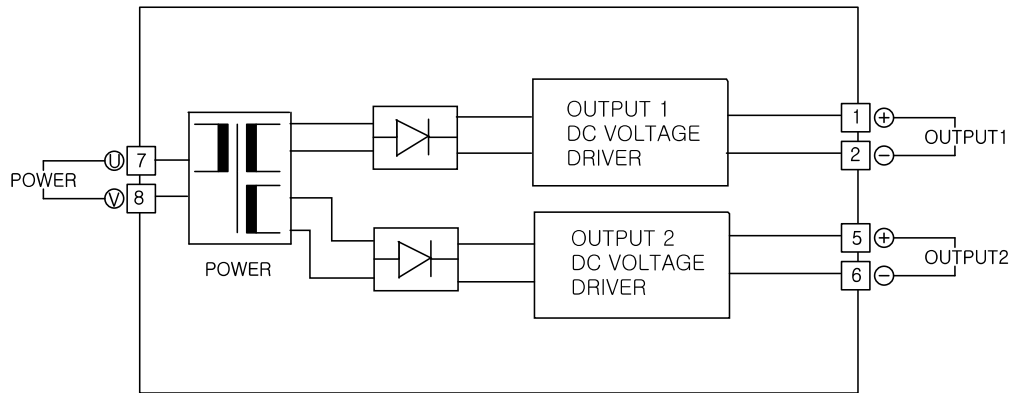
MODEL	AW - PSC
www.autowins.co.kr	

DC POWER SUPPLY CONVERTER

● 1 OUTPUT CONNECTION DIAGRAM

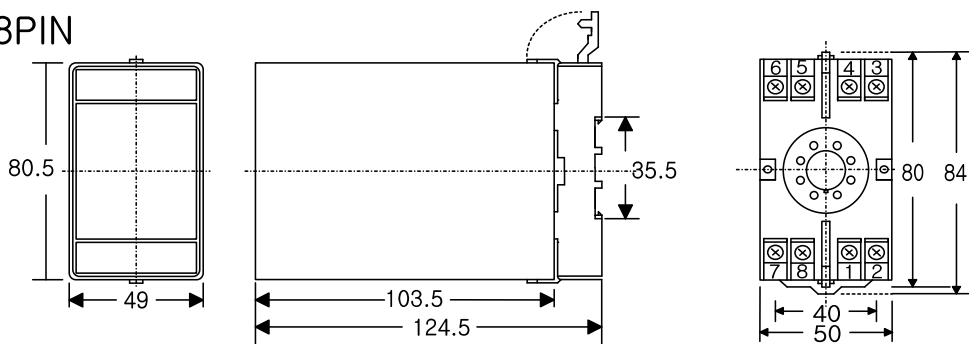


● 2 OUTPUT CONNECTION DIAGRAM



● DEMENSION

■ 8PIN



■ 11PIN

