

MODEL

AW - FFC

www.autowins.co.kr

PULSE TO PULSE DISTRIBUTOR

● GENERAL SPECIFICATION

- Construction : Plug -in
- Wring : M3.5 Screw Terminal
- Isolation : Power to Input to Output1 to Output2
- Adjustment : Zero & Span ± 20% of full scale

● INPUT

- Open collector : 12VDC/4mA
- Voltage pulse : Square or sine waveforms
- Dry contact : 12VDC/4mA
- Current pulse input impedance : 250Ω
- Input cut off bias voltage adjustment : 0~6VDC max

● OUTPUT

- Open collector : 24VDC/50mA
- Frequency range : 0~10KHz
- Voltage pulse Level: High -- $V \pm 10\%$
Low -- $0 \leq 0.5V$
- Load impedance : 600Ω max
- Dry contact : 250VAC/3A ,30VDC/5A
- Current pulse : 0 ~ 20mA/DC Standard

● INSTALLATION

- Operating temperature : -5℃ ~ 55℃
- Operating humidity : 90%RH Max (none condensing)
- Power supply
AC : 110V or 220V/60Hz ± 10%, approx 3VA
DC : 18V ~ 30V ± 10%, approx 3VA
- Power selection : AC 110V/220V Switch in the back plane
- Mounting : Wall or DIN rail

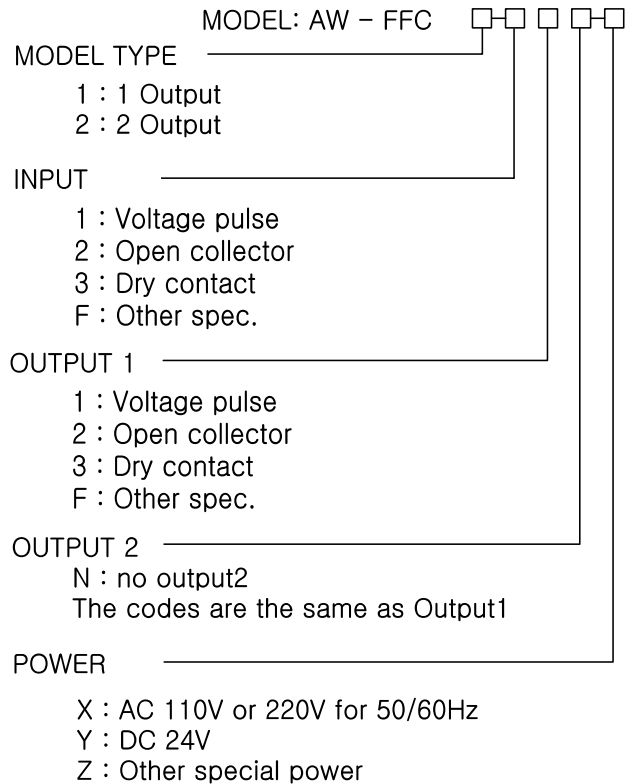
● PERFORMANCE

- Accuracy : ± 0.2%
- Temp'coefficient : ± 0.015/°C
- Response time : 0.5 Sec or less(0~90%)
- Insulation resistance : 100MΩ or more with 500VDC(Input/Output/Power)
- Dielectric strength : 1500VAC at 1minute (Input to Output to Power)



The model AW – FFC accepts the various pulse type signal (square or sine wave, magnetic sensor signal etc.)and provides isolated pulse outputs.

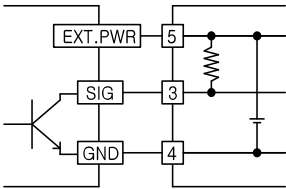
● ORDERING CODE SELECTION



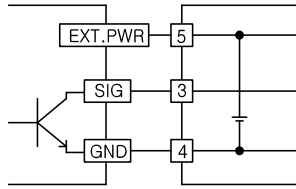
PULSE TO PULSE DISTRIBUTOR

● INPUT CONNECTION CIRCUIT

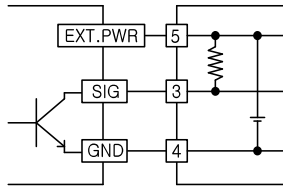
◆ Open Collector



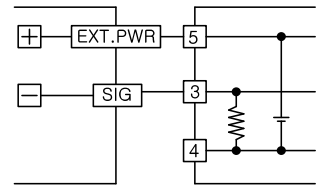
◆ Voltage Pulse



◆ Dry Contact

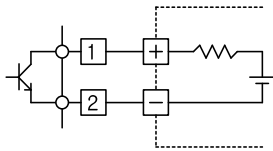


◆ Current Pulse (2-wire pulse)

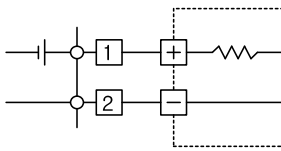


● OUTPUT CONNECTION CIRCUIT

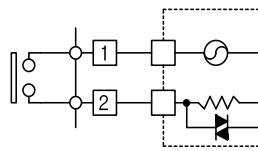
◆ Open Collector



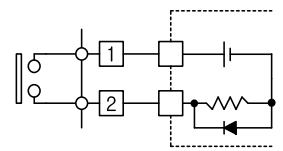
◆ Voltage Pulse



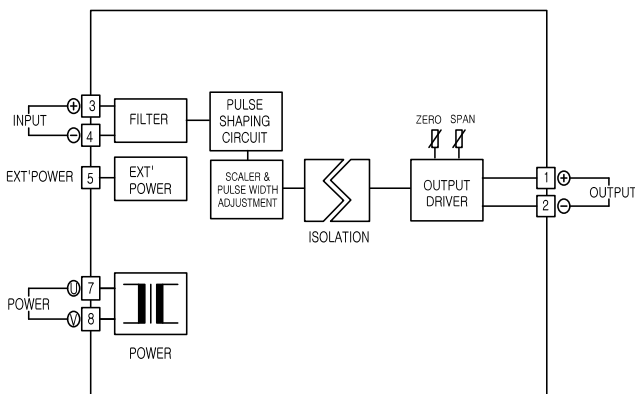
◆ Dry Contact (AC)



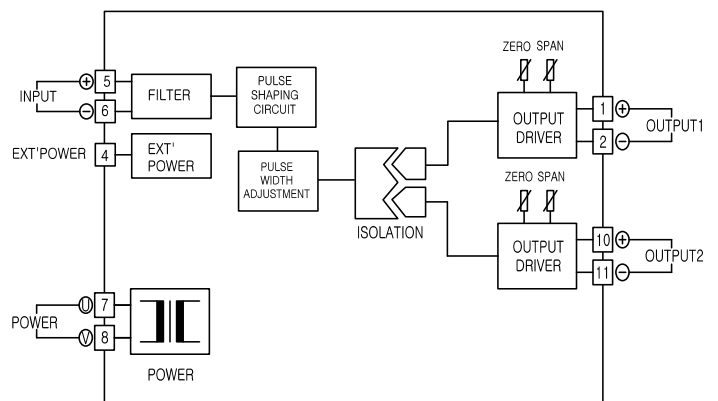
◆ Dry Contact (DC)



● 1 OUTPUT CONNECTION DIAGRAM



● 2 OUTPUT CONNECTION DIAGRAM



● DEMENSION (11PIN)

