

MODEL**AW - PHC****www.autowins.co.kr**

DC SIGNAL PEAK HOLDER

● GENERAL SPECIFICATION

- Construction : Plug -in
- Wring : M3.5 Screw Terminal
- Isolation : Power to Input to Output1 to Output2
- Adjustment : Zero & Span $\pm 20\%$ of full scale

● INPUT

◆ DC VOLTAGE

- Range : $\pm 300V$ Max
- Resistance : $20K\Omega$ Min at $\pm 1V$
 $1M\Omega$ Min at $\pm 10V$

◆ DC CURRENT

- Range : $50mA$ Max
- Resistance : 250Ω Max

● OUTPUT

- DC VOLTAGE : $\pm 12V$ Max
- Load Resistance

Output	Resistance
0 ~ 10mV	1K Ω or more
0 ~ 100mV	1K Ω or more
0 ~ 1V	1K Ω or more
0 ~ 5V	2K Ω or more
0 ~ 10V	4K Ω or more
-10V ~ 10V	4K Ω or more

- DC CURRENT : 0 ~ 20mA

- Load Resistance

Output	Resistance
0 ~ 1mA	15K Ω or less
0 ~ 10mA	1.5K Ω or less
0 ~ 20mA	750 Ω or less
1 ~ 5mA	3K Ω or less
4 ~ 20mA	750 Ω or less

- Display range : -999~1999,3 1/2 digit
(available decimal point)

● INSTALLATION

- Operating temperature : $-5^{\circ}C$ ~ $55^{\circ}C$
- Operating humidity : 90%RH Max
(none condensing)
- Power supply
 - AC : 110V or 220V/60Hz $\pm 10\%$, approx 3VA
 - DC : 18V ~ 30V $\pm 10\%$, approx 3VA
- Power selection : AC 110V/220V Switch
in the back plane
- Mounting : Wall or DIN rail

● PERFORMANCE

- Accuracy : $\pm 0.2\%$
- Temp'coefficient : $\pm 0.015/\%$
- Response time : 0.5 Sec or less(0~90%)
- Insulation resistance : 100M Ω or more
with 500VDC(Input/Output/Power)
- Dielectric strength : 1500VAC at 1minute
(Input to Output to Power)



The converter AW - PHC responds to only the increasing signal and holding the maximum value until received a higher signal or a resetting command, provides isolated proportional DC outputs.

● ORDERING CODE SELECTION

MODEL: AW - PHC

MODEL TYPE

- 1 : 1 Output
- 2 : 2 Output
- A : 1 Output with display
- B : 2 Output with display

INPUT

- | VOLTAGE | CURRENT |
|-------------------------|------------|
| 1 : 0~10mV | A : 0~1mA |
| 2 : 0~100mV | B : 0~10mA |
| 3 : 0~1V | C : 0~20mA |
| 4 : 0~5V | D : 1~5mA |
| 5 : 0~10V | E : 4~20mA |
| 6 : 1~5V | |
| 7 : -10~10V | |
| F : Other special spec. | |

OUTPUT 1

- | VOLTAGE | CURRENT |
|-------------------------|------------|
| 1 : 0~10mV | A : 0~1mA |
| 2 : 0~100mV | B : 0~10mA |
| 3 : 0~1V | C : 0~20mA |
| 4 : 0~5V | D : 1~5mA |
| 5 : 0~10V | E : 4~20mA |
| 6 : 1~5V | |
| 7 : -10~10V | |
| F : Other special spec. | |

OUTPUT 2

- N : no output2
- The codes are the same as Output1

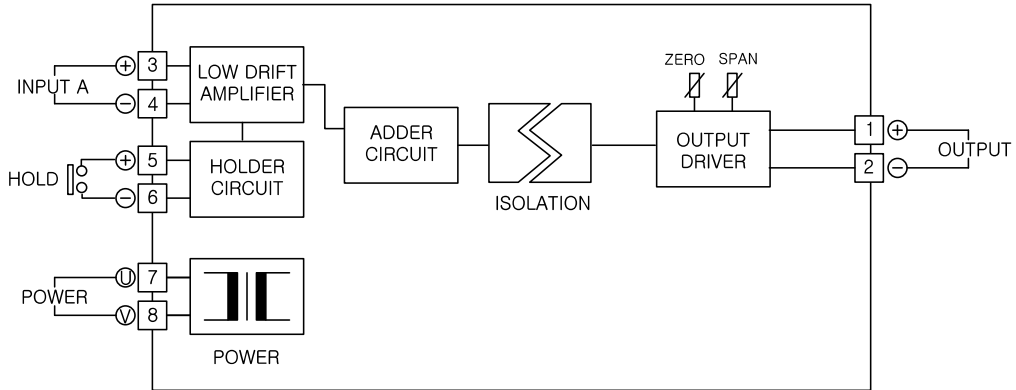
POWER

- X : AC 110V or 220V for 50/60Hz
- Y : DC 24V
- Z : Other special power

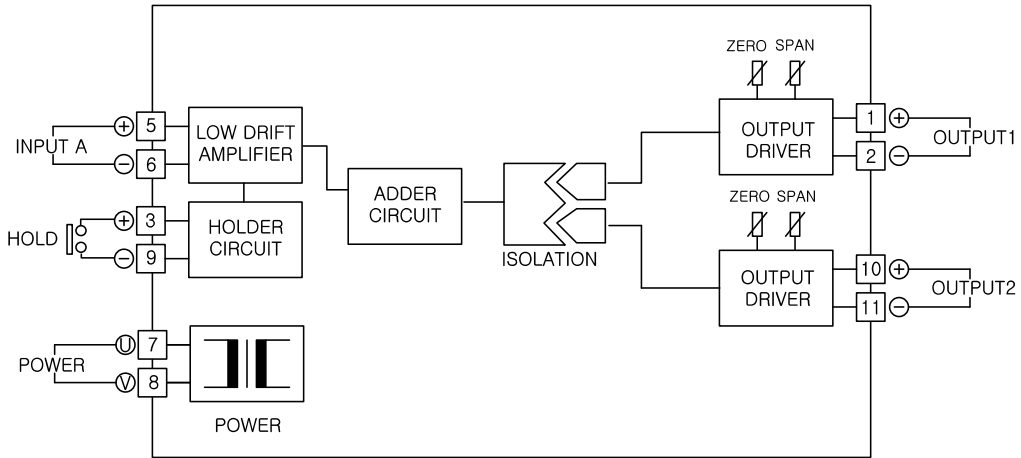
MODEL	AW - PHC
www.autowins.co.kr	

DC SIGNAL PEAK HOLDER

● 1 OUTPUT CONNECTION DIAGRAM

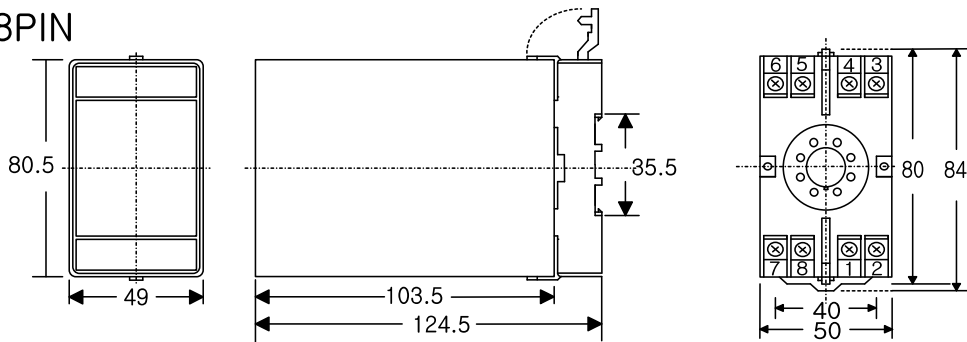


● 2 OUTPUT CONNECTION DIAGRAM



● DEMENSION

■ 8PIN



■ 11PIN

