

MODEL	AW-RTD
www.autowins.co.kr	

RTD TEMPERATURE CONVERTER

● GENERAL SPECIFICATION

- Construction : Plug -in
- Wring : M3.5 Screw Terminal
- Isolation : Power to Input to Output1 to Output2
- Adjustment : Zero & Span $\pm 20\%$ of full scale

● INPUT

- 2 Wire or 3Wire type
- Range : $-200 \sim 600^{\circ}\text{C}$
- Sensor type : Pt 100 Ω or Pt 1000 Ω (JIS or DIN)
- Sensing current : 1.5mA

● OUTPUT

- DC VOLTAGE : $\pm 12\text{V}$ Max
- Load Resistance

Output	Resistance
0 ~ 10mV	1K Ω or more
0 ~ 100mV	1K Ω or more
0 ~ 1V	1K Ω or more
0 ~ 5V	2K Ω or more
0 ~ 10V	4K Ω or more
-10V ~ 10V	4K Ω or more

- DC CURRENT : 0 ~ 20mA

- Load Resistance

Output	Resistance
0 ~ 1mA	15K Ω or less
0 ~ 10mA	1.5K Ω or less
0 ~ 20mA	750 Ω or less
1 ~ 5mA	3K Ω or less
4 ~ 20mA	750 Ω or less

- Display range : $-999 \sim 1999$, 3 1/2 digit (available decimal point)

● INSTALLATION

- Operating temperature : $-5^{\circ}\text{C} \sim 55^{\circ}\text{C}$
- Operating humidity : 90%RH Max (none condensing)
- Power supply
 - AC : 110V or 220V/60Hz $\pm 10\%$, approx 3VA
 - DC : 18V ~ 30V $\pm 10\%$, approx 3VA
- Power selection : AC 110V/220V Switch in the back plane
- Mounting : Wall or DIN rail

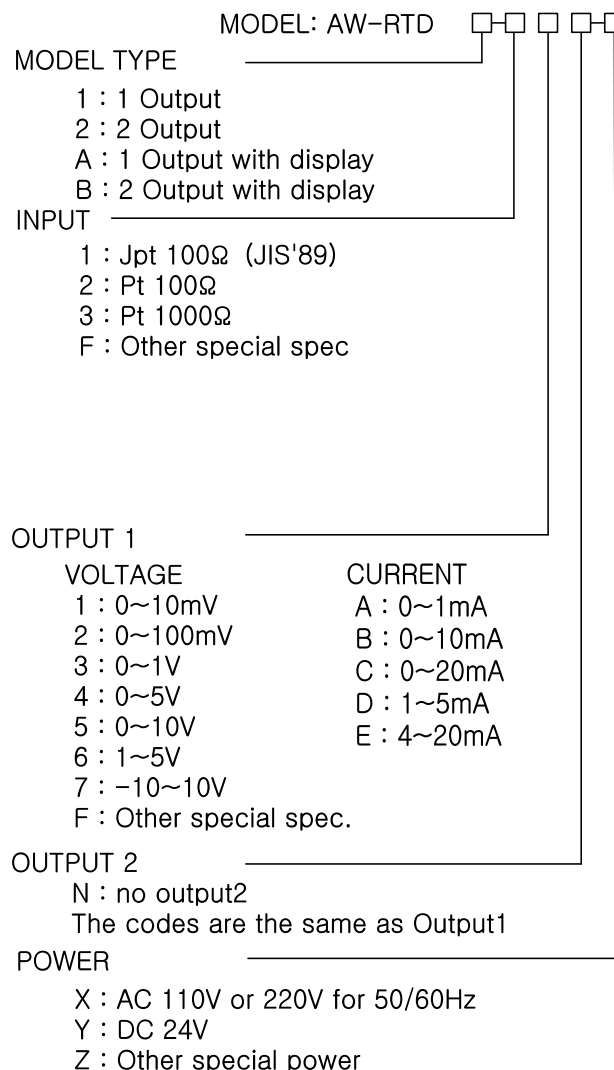
● PERFORMANCE

- Accuracy : $\pm 0.1\%$
- Temp'coefficient : $\pm 0.015/\text{C}$
- Response time : 0.5 Sec or less(0~90%)
- Insulation resistance : 100M Ω or more with 500VDC(Input/Output/Power)
- Dielectric strength : 1500VAC at 1minute (Input to Output to Power)



AW-RTD Accepts RTD temperature sensor signal, and provides isolated DC outputs.

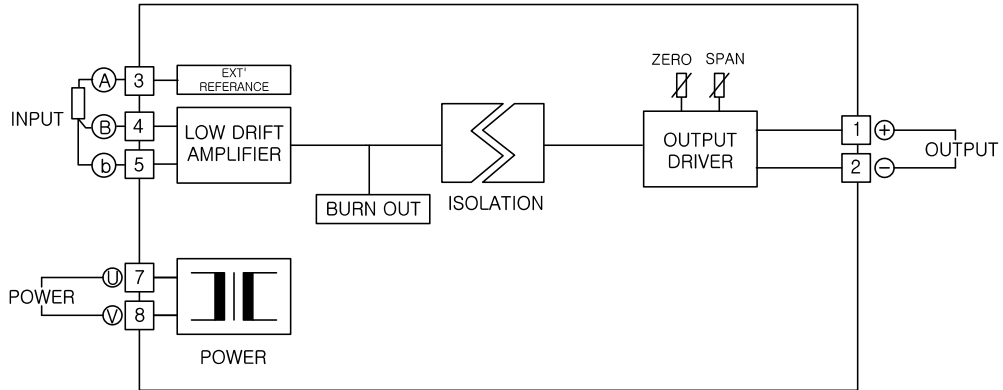
● ORDERING CODE SELECTION



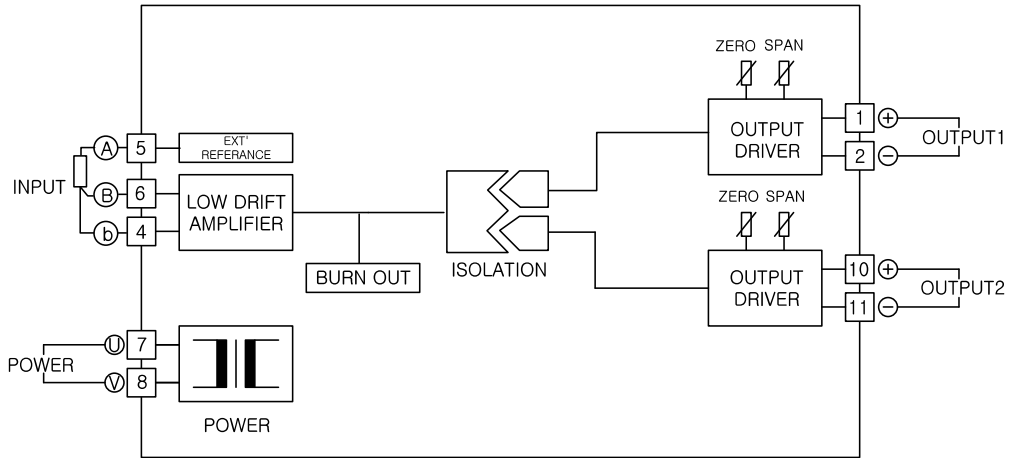
MODEL	AW-RTD
www.autowins.co.kr	

RTD TEMPERATURE CONVERTER

● 1 OUTPUT CONNECTION DIAGRAM

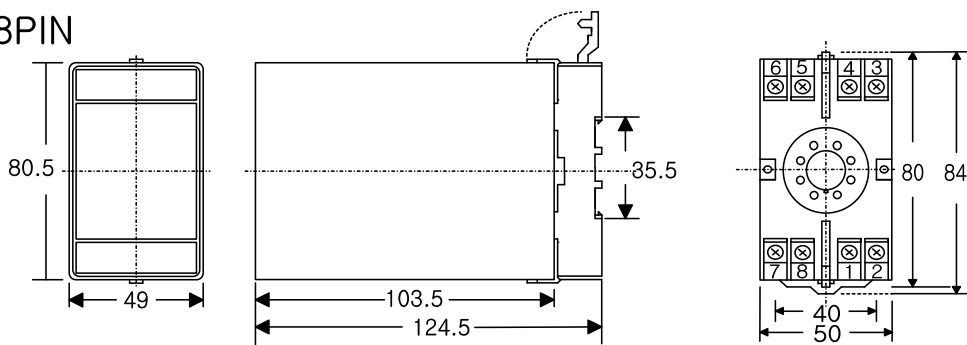


● 2 OUTPUT CONNECTION DIAGRAM



● DEMENSION

■ 8PIN



■ 11PIN

