

<b>MODEL</b>	<b>AW - 3ISC</b>
<b>www.autowins.co.kr</b>	

# SIGNAL ISOLATION 3 OUTPUT CONVERTER

## ● GENERAL SPECIFICATION

- Construction : Plug -in
- Wring : M3.5 Screw Terminal
- Isolation : Power to Input to Output1 to Output2 to Output3
- Adjustment : Zero & Span  $\pm 20\%$  of full scale

## ● INPUT

- ◆ DC VOLTAGE
  - Range :  $\pm 300V$  Max
  - Resistance :  $20K\Omega$  Min at  $\pm 1V$   
 $1M\Omega$  Min at  $\pm 10V$
- ◆ DC CURRENT
  - Range :  $50mA$  Max
  - Resistance :  $250\Omega$  Max
- ◆ RTD SENSOR ;  $-200 \sim 600^{\circ}C$
- ◆ POTENTIOMETER ;  $100\Omega \sim 100K\Omega$

## ● OUTPUT

- DC VOLTAGE :  $\pm 12V$  Max
- Load Resistance

Output	Resistance
0 ~ 10mV	1K $\Omega$ or more
0 ~ 100mV	1K $\Omega$ or more
0 ~ 1V	1K $\Omega$ or more
0 ~ 5V	2K $\Omega$ or more
0 ~ 10V	4K $\Omega$ or more
-10V ~ 10V	4K $\Omega$ or more

- DC CURRENT : 0 ~ 20mA
- Load Resistance

Output	Resistance
0 ~ 1mA	15K $\Omega$ or less
0 ~ 10mA	1.5K $\Omega$ or less
0 ~ 20mA	750 $\Omega$ or less
1 ~ 5mA	3K $\Omega$ or less
4 ~ 20mA	750 $\Omega$ or less

## ● INSTALLATION

- Operating temperature :  $-5^{\circ}C \sim 55^{\circ}C$
- Operating humidity : 90%RH Max (none condensing)
- Power supply
  - AC : 110V or 220V/60Hz  $\pm 10\%$ , approx 3VA
  - DC : 18V ~ 30V  $\pm 10\%$ , approx 3VA
- Power selection : AC 110V/220V Switch in the back plane
- Mounting : Wall or DIN rail

## ● PERFORMANCE

- Accuracy :  $\pm 0.2\%$
- Temp'coefficient :  $\pm 0.015/\%$
- Response time : 0.5 Sec or less(0~90%)
- Insulation resistance : 100M $\Omega$  or more with 500VDC(Input/Output/Power)
- Dielectric strength : 1500VAC at 1 minute (Input to Output to Power)



The converter AW-3ISC accepts an DC signal or other signal(RTD sensor,potentiometer), provides proportional isolated 3-DC outputs.

## ● ORDERING CODE SELECTION

MODEL: AW- : 3ISC

### INPUT

- 1 : DC Voltage
- 2 : DC Current
- 3 : RTD Sensor
- 4 : Potentiometer
- F : Other special spec.

### OUTPUT 1

- | VOLTAGE                 | CURRENT    |
|-------------------------|------------|
| 1 : 0~10mV              | A : 0~1mA  |
| 2 : 0~100mV             | B : 0~10mA |
| 3 : 0~1V                | C : 0~20mA |
| 4 : 0~5V                | D : 1~5mA  |
| 5 : 0~10V               | E : 4~20mA |
| 6 : 1~5V                |            |
| 7 : -10~10V             |            |
| F : Other special spec. |            |

### OUTPUT 2

The codes are the same as Output 1

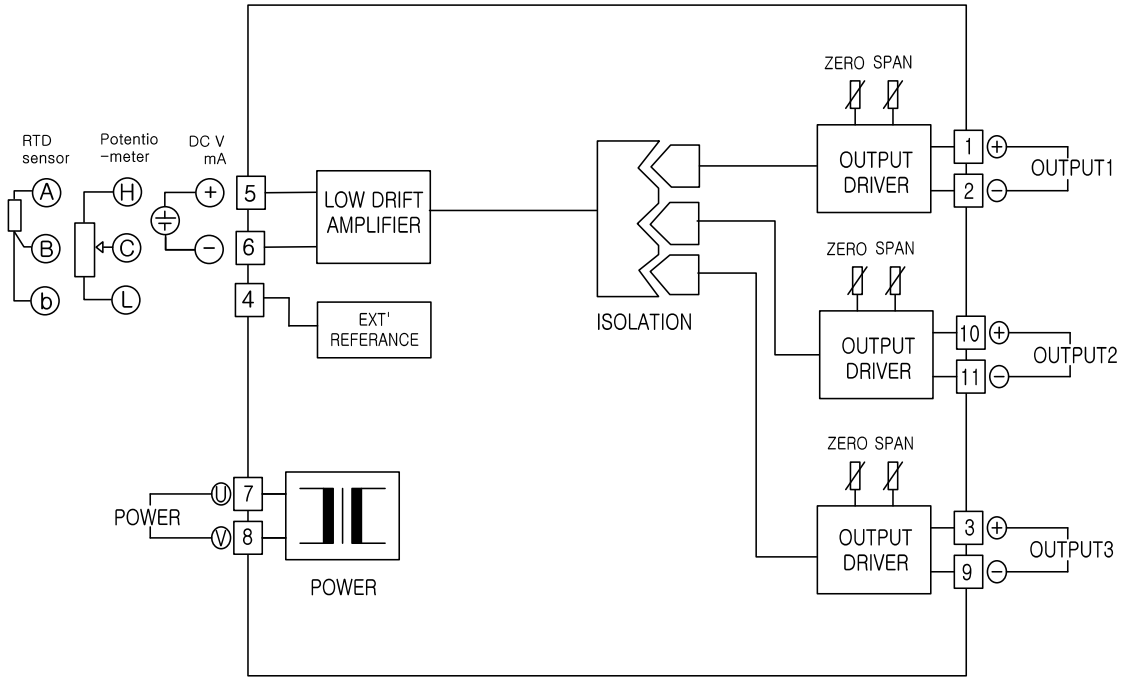
### OUTPUT 3

The codes are the same as Output 1

### POWER

- X : AC 110V or 220V for 50/60Hz
- Y : DC 24V
- Z : Other special power

● **11 PIN CONNECTION DIAGRAM**



● **DEMENSION**

■ **11PIN**

